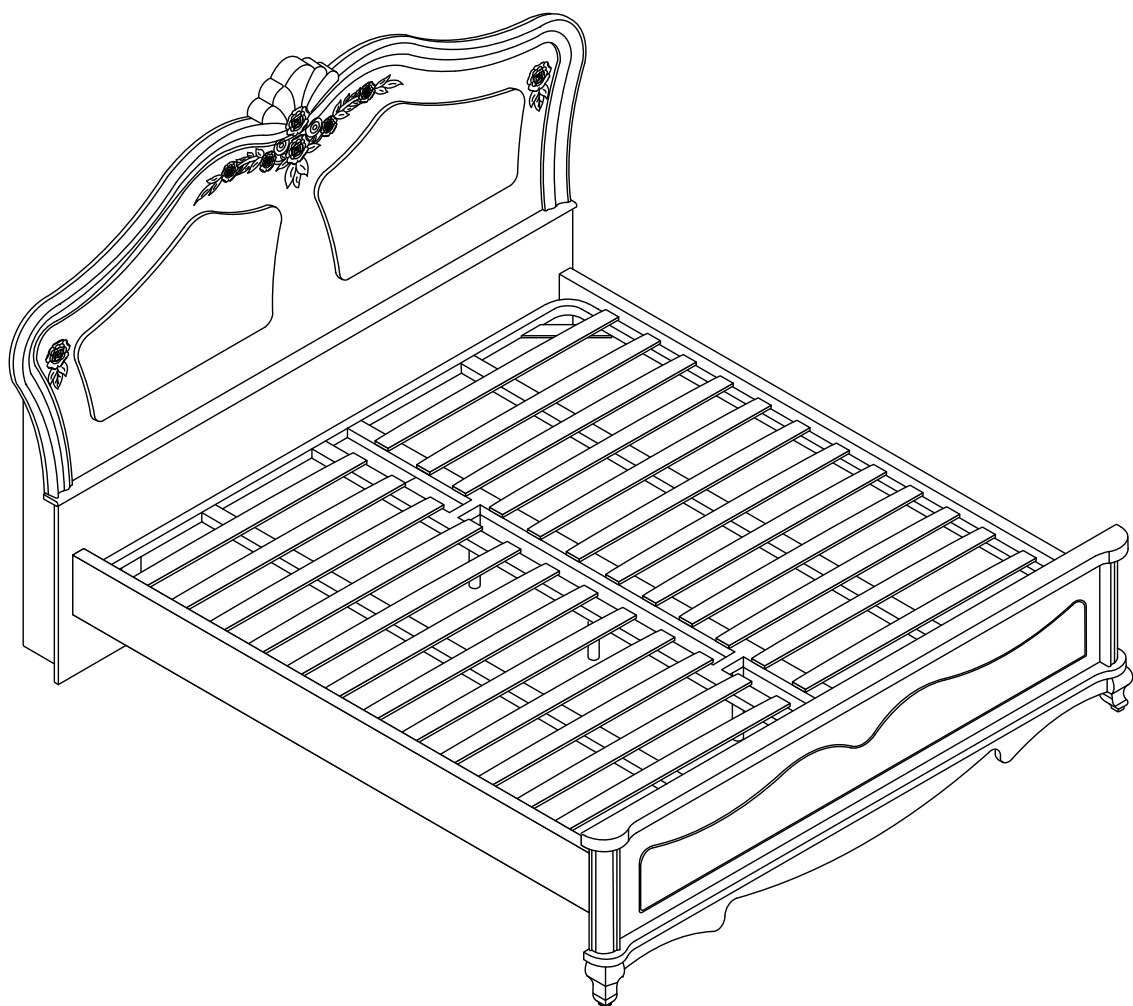
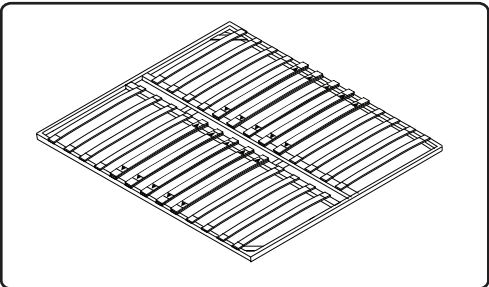
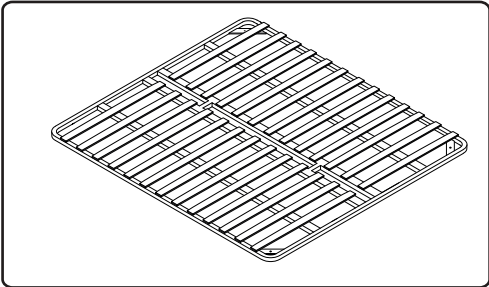


901

180 x 200 2150 x 2120 x 1530 mm



BEMONDI

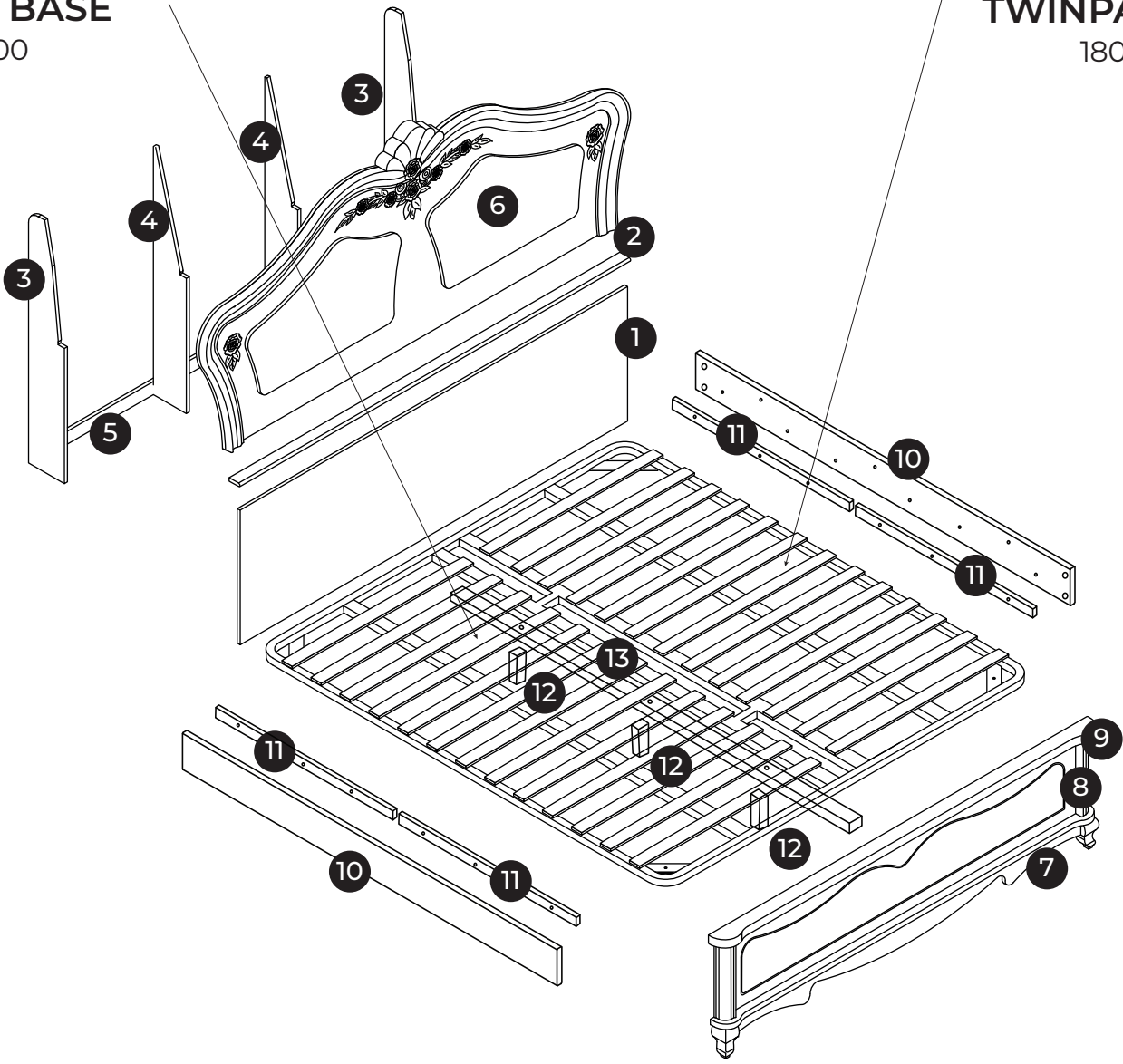


BED BASE

180x200

TWINPACK

180x200



x2



A x4
Ø 8 x 100 mm



B x16
Ø 8 x 30 mm



C x18
Ø 6 x 50 mm



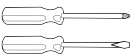
D x4
Ø 8 x 70 mm



E x8



F x8
Ø 8 mm



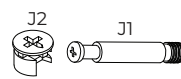
G x4
Ø 8 mm



H x8



I x46
Ø 3.5 x 16 mm



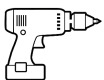
J x24
Ø 15 mm



K x8
17 x 17 x 26 mm



L1 x2



L2 x2



M x3
Ø 8 x 45 mm

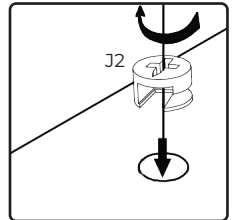
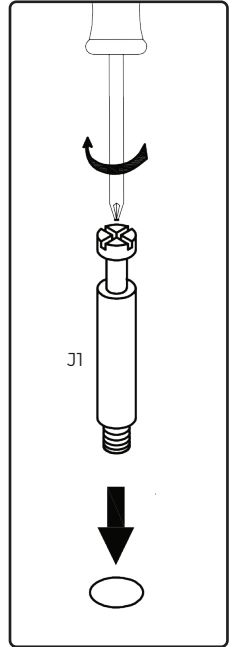
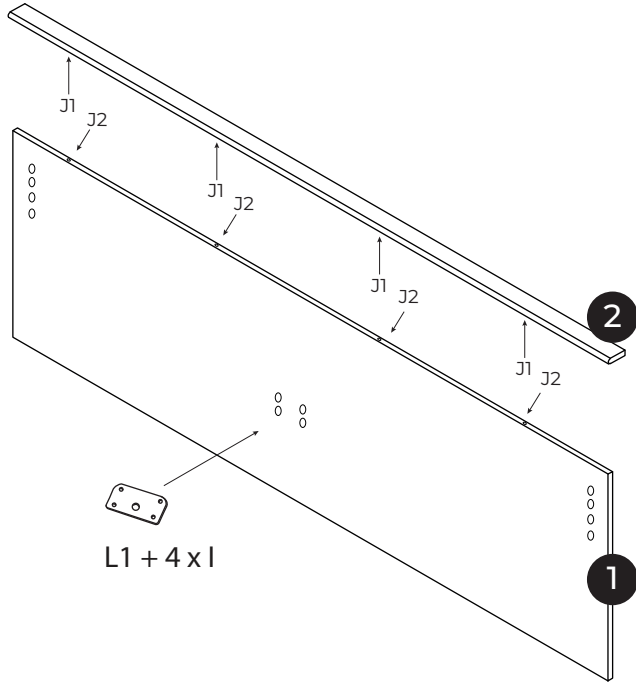
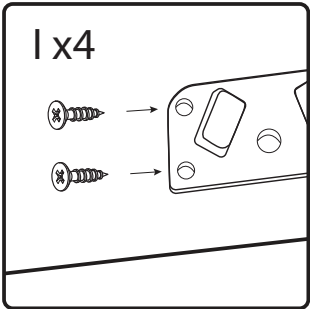
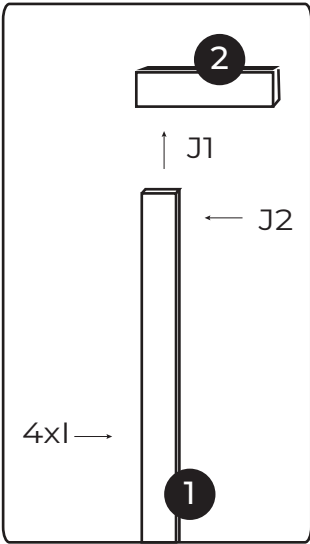


N x3
Ø 20 mm

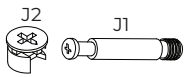


O x4
Ø 6 x 45 mm



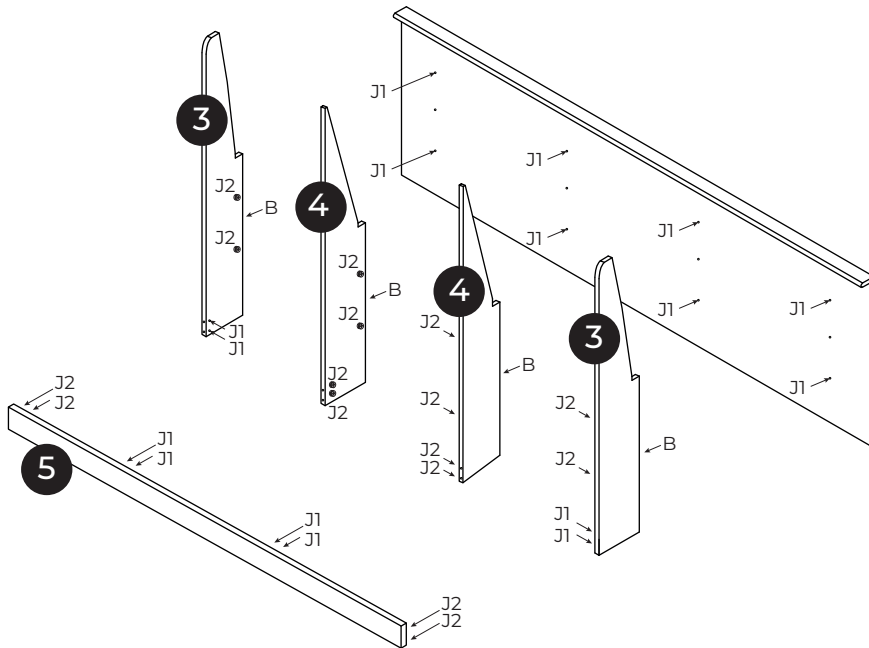


I  x4

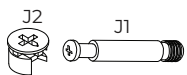
J  x4

L1  x1

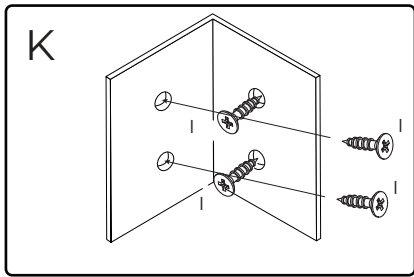
1



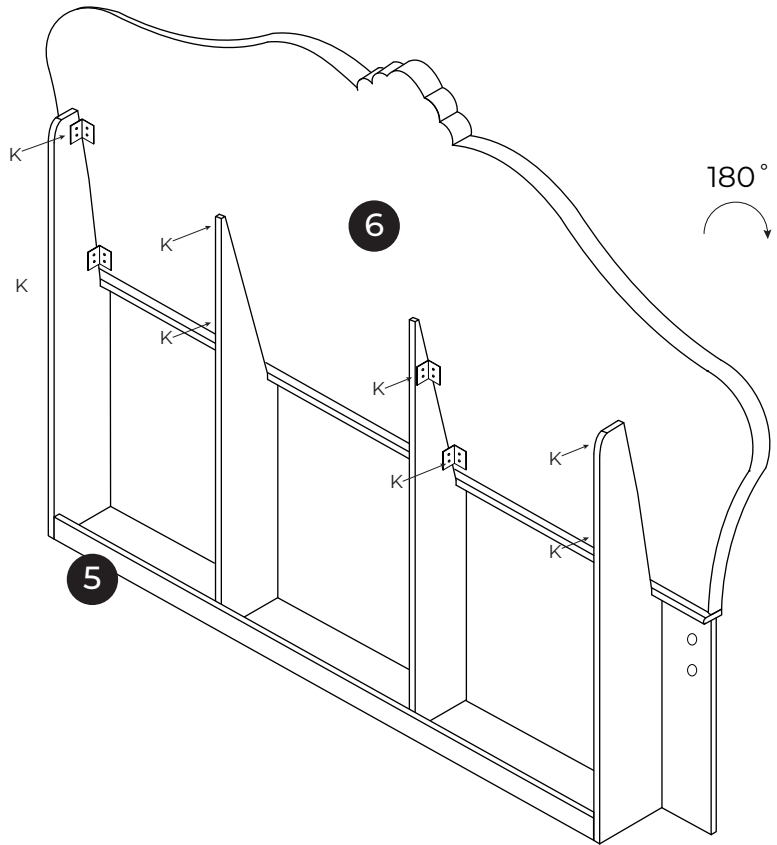
B  x4

J  x16


2



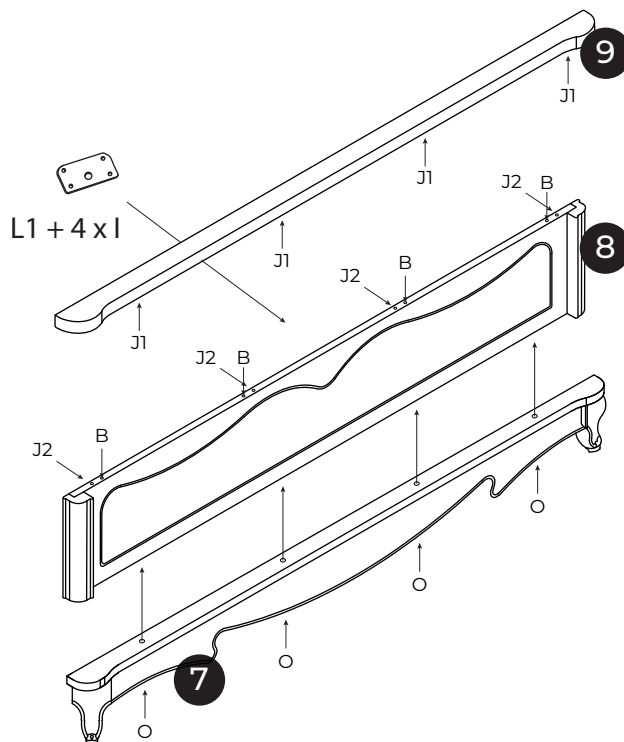
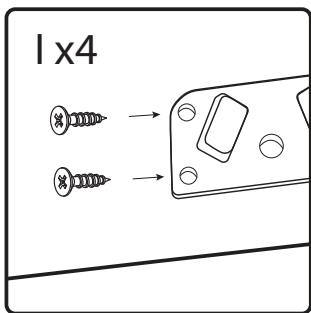
x8



I  x32


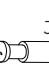
K  x8


3

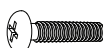


B  x4

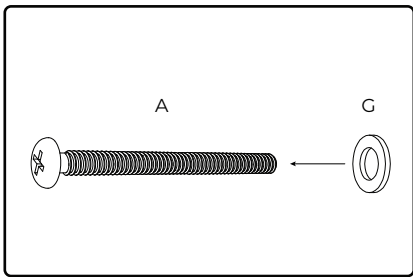
I  x4

J   x4

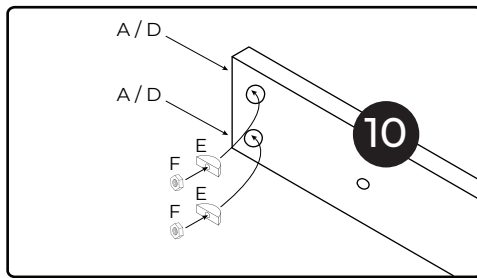
L1  x1

O  x4

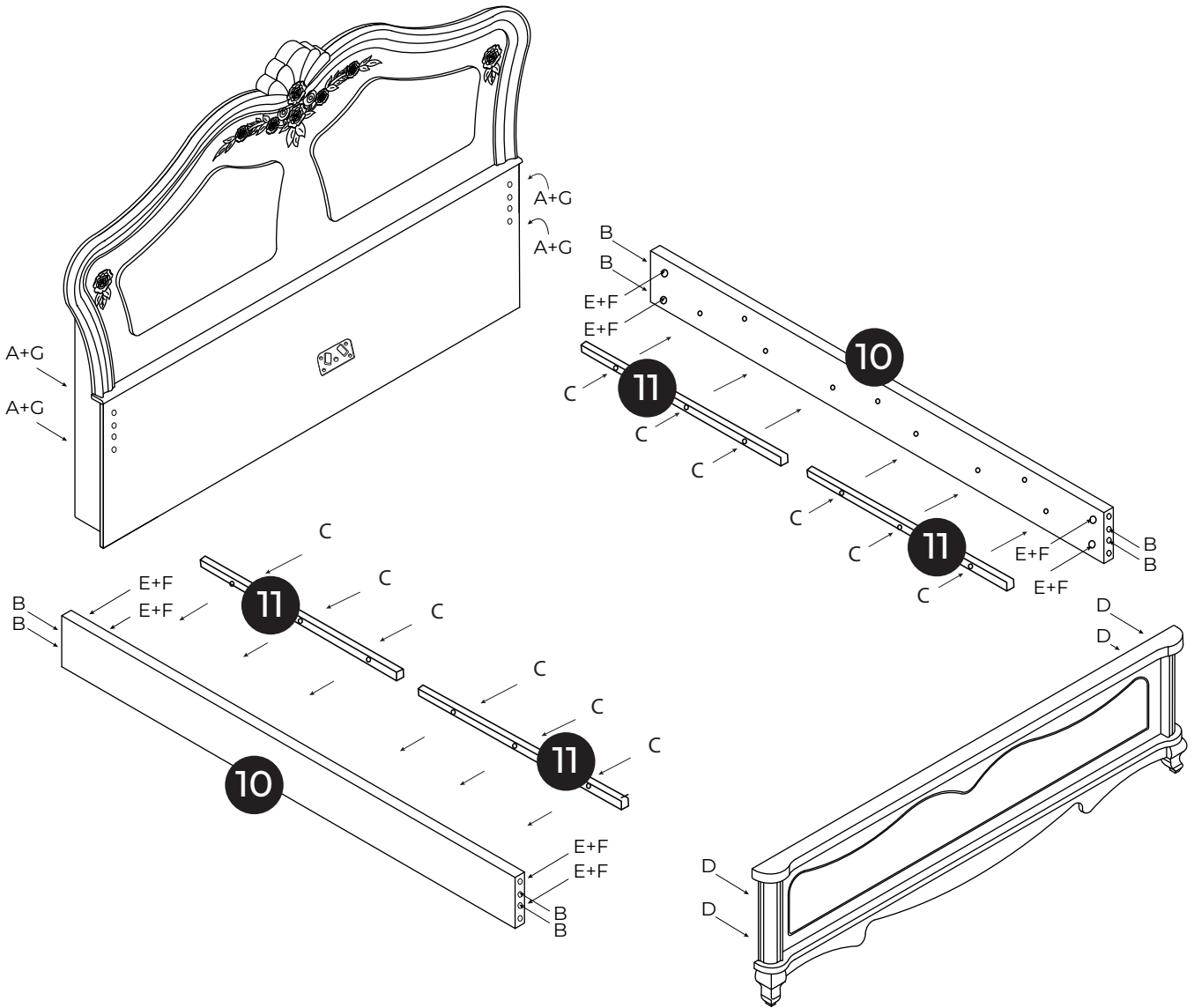
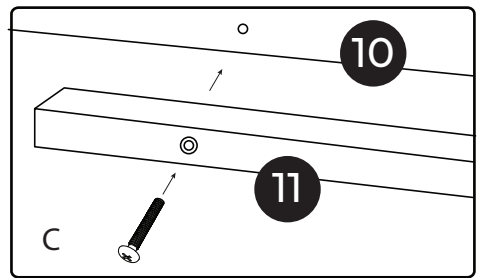
4



x4



x4



A  x4

B  x8

C  x12

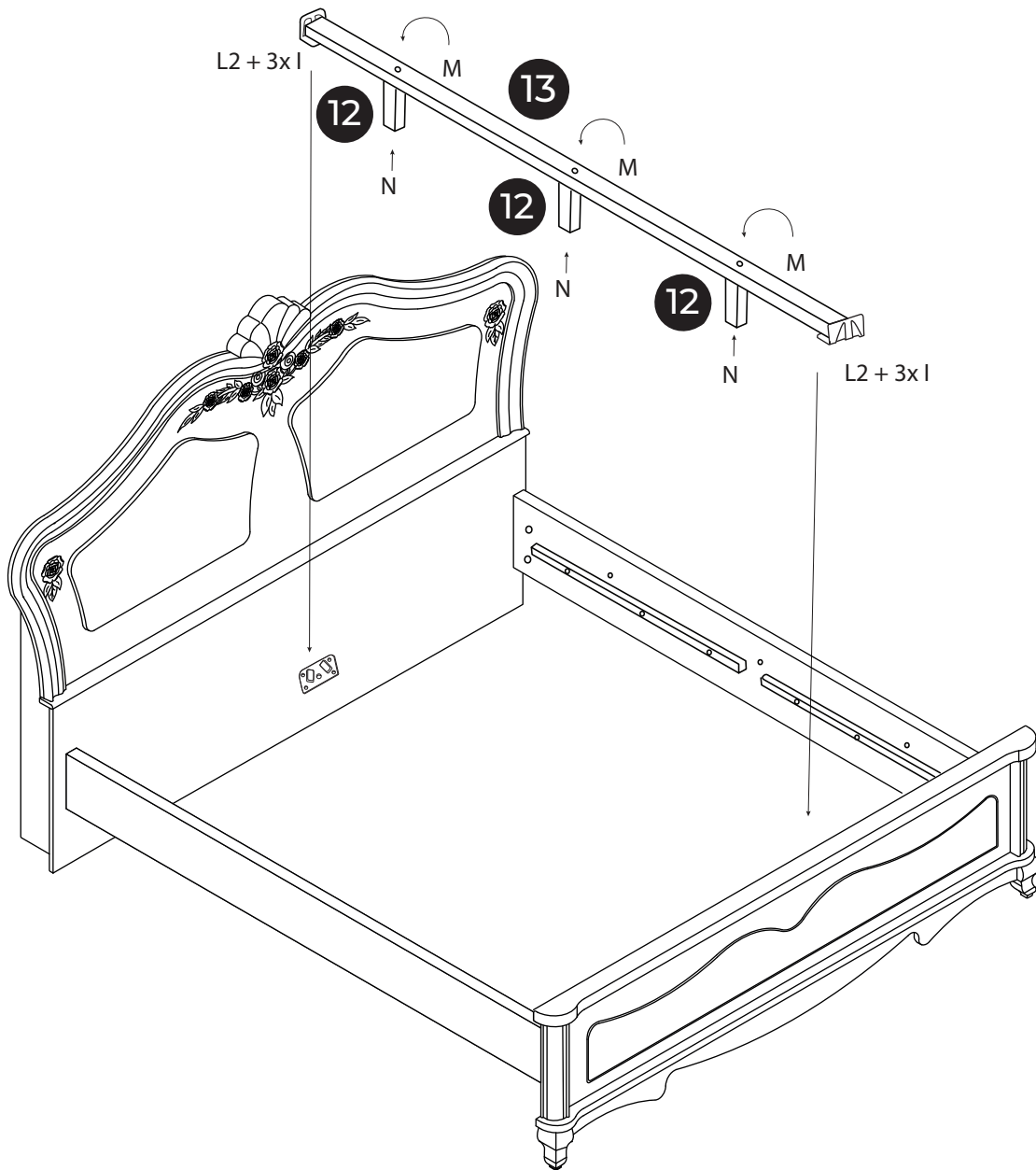
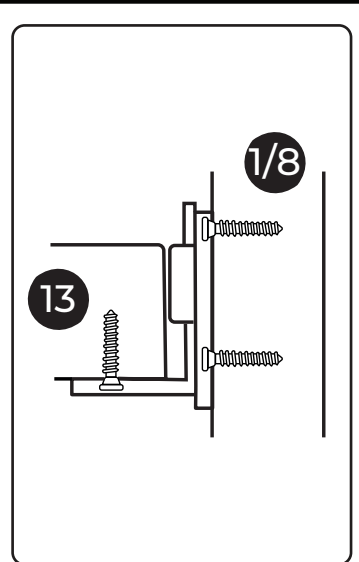
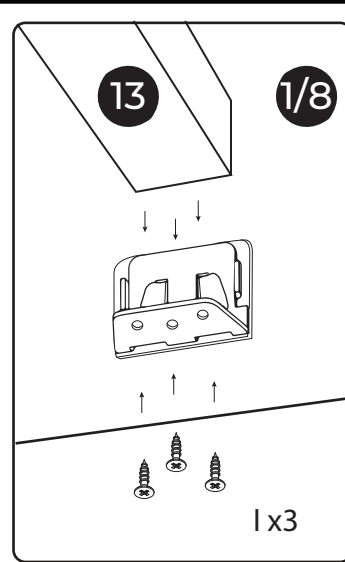
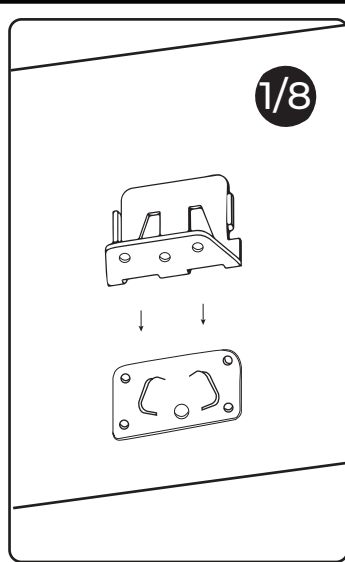
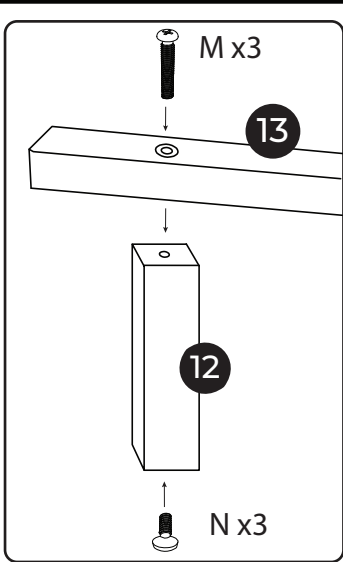
D  x4

E  x8

F  x8


G  x4

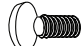
5

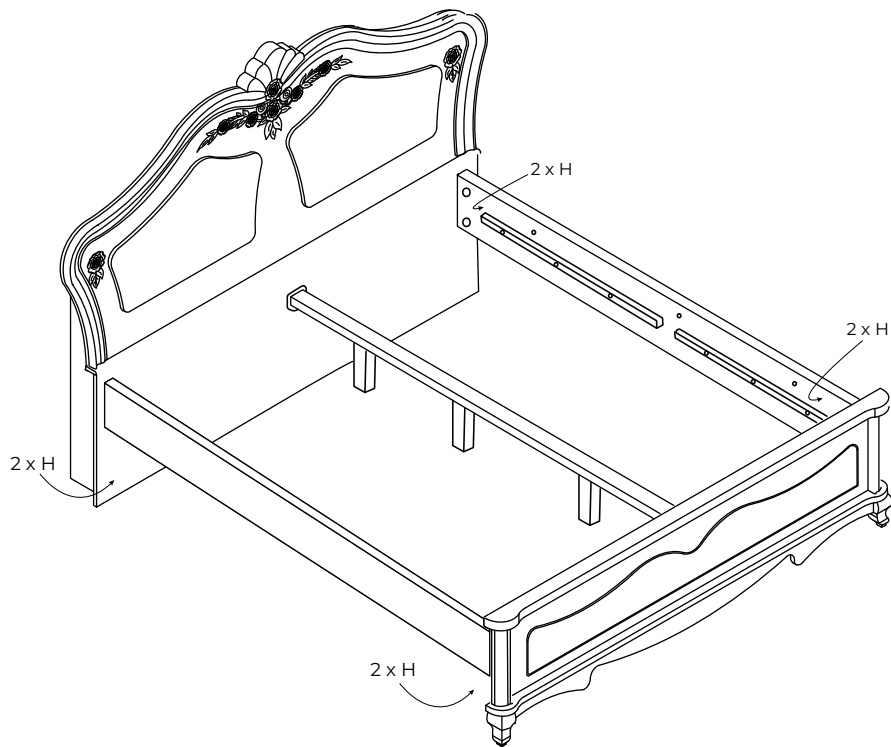


I  x6

L2  x2

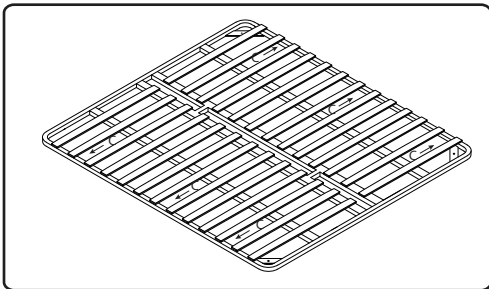
M  x3

N  x3

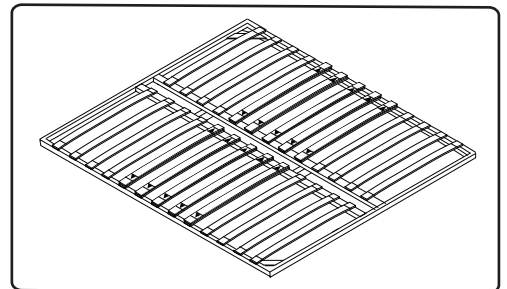


H  x8

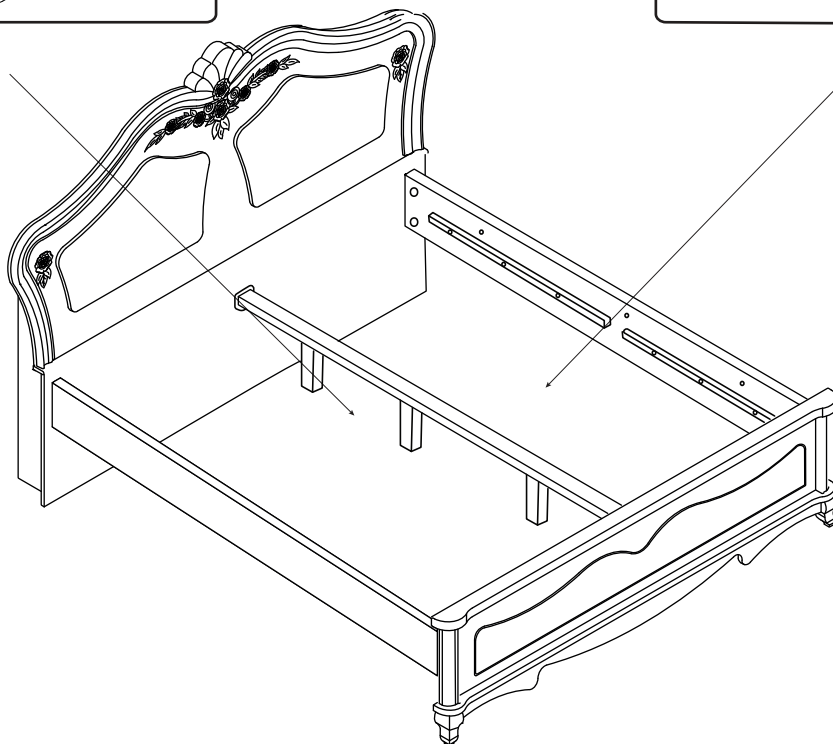
7



BED BASE
180x200



TWINPACK
180x200

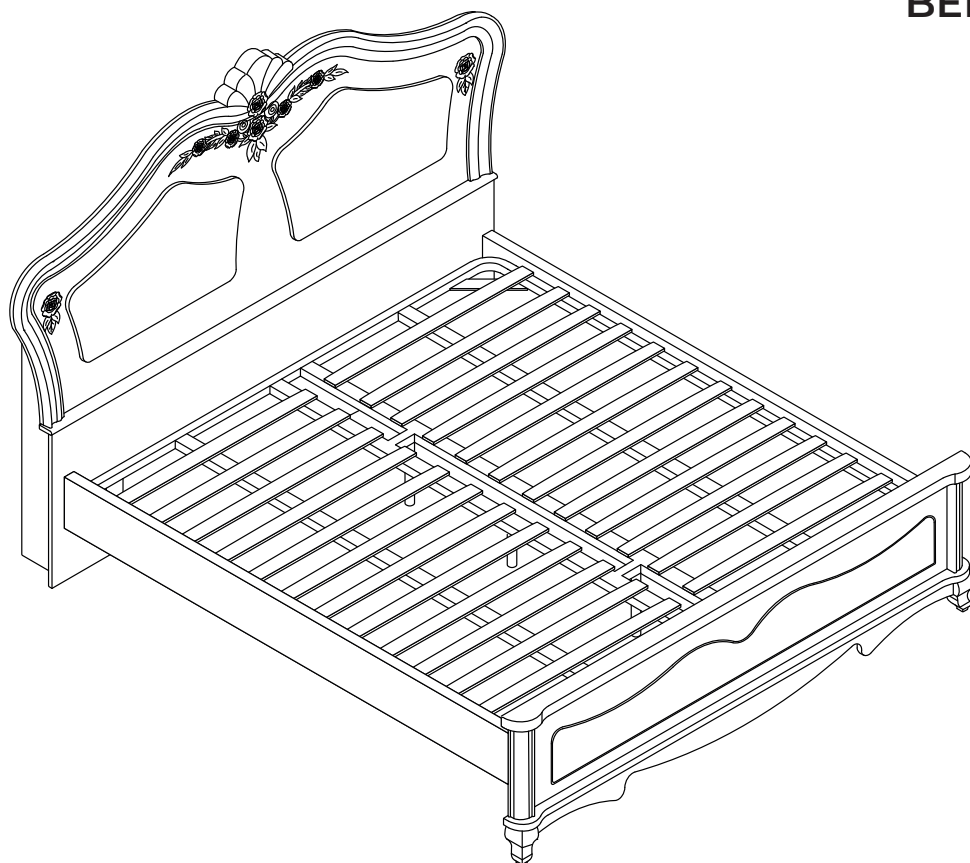


C  x6 **BED BASE**

8

BED BASE

180x200



TWINPACK

180x200

