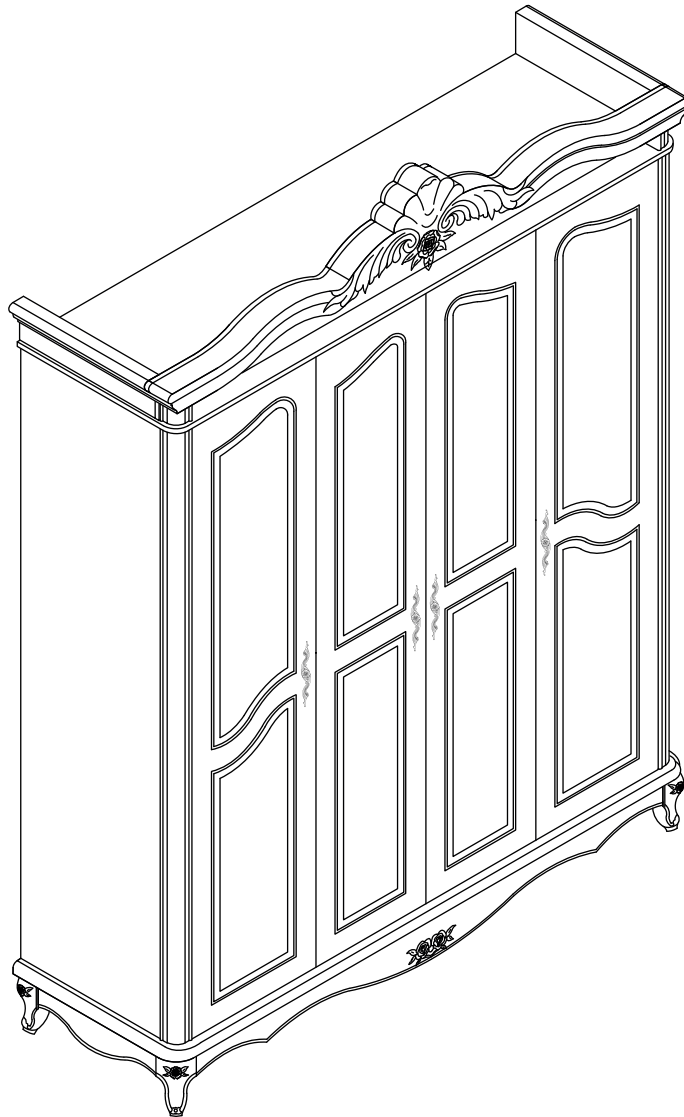
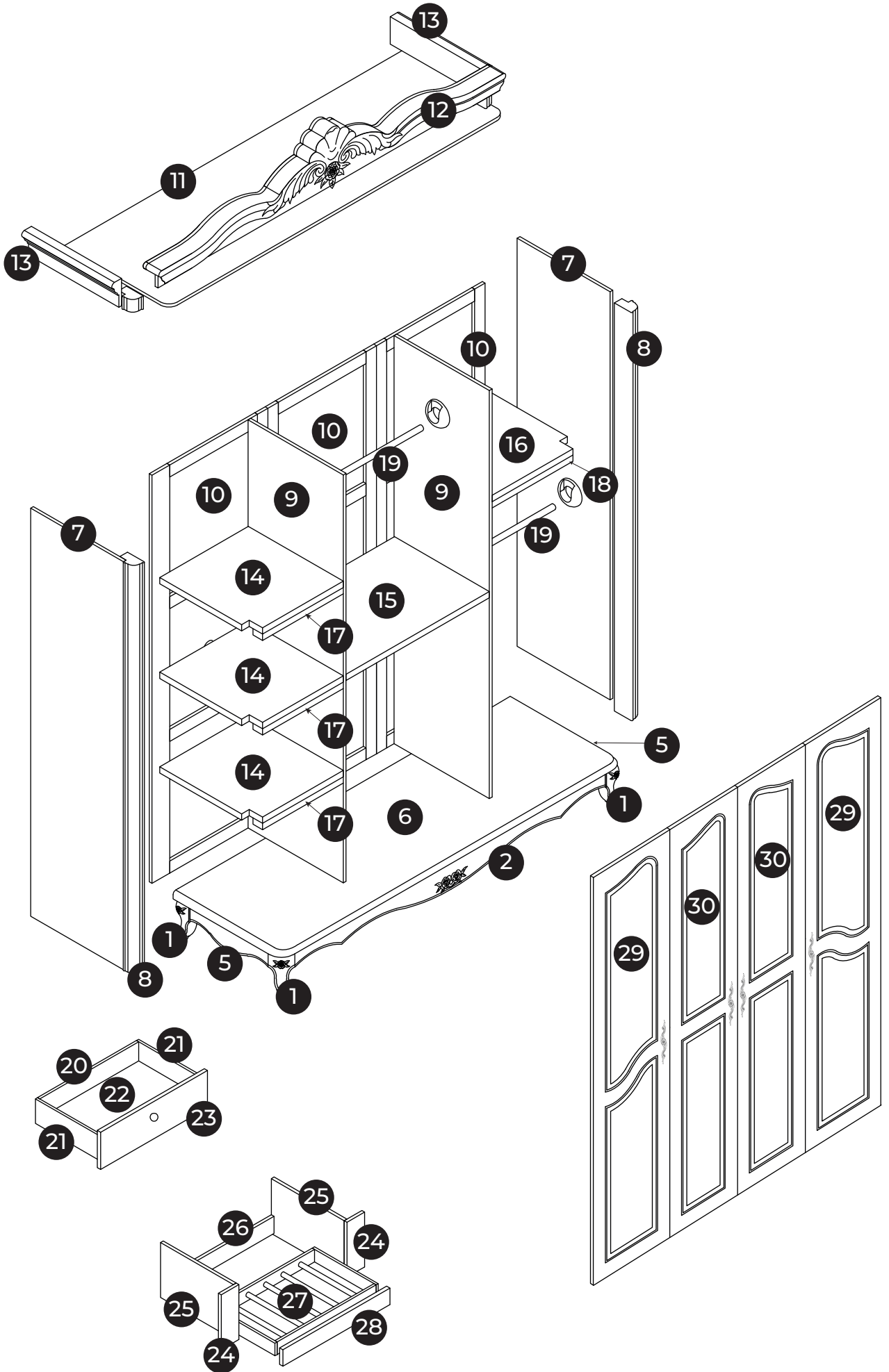


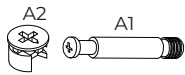
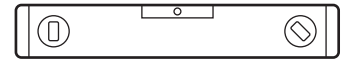
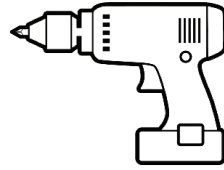
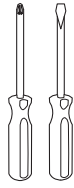
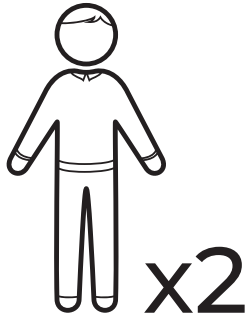
# 903-4

1900 x 600 x 2480 mm



**BEMONDI**





**A x 86**  
∅ 15 mm



**B x 26**  
∅ 8 x 30 mm



**C x 4**



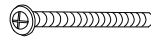
**D x 2**  
17 x 17 x 26 mm



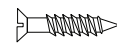
**E x 64**  
∅ 4 x 10 mm



**F x 8**  
∅ 4 x 18 mm



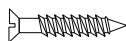
**G x 4**  
∅ 4 x 25 mm



**H x 6**  
∅ 3.5 x 25 mm



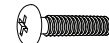
**I x 36**  
∅ 3.5 x 15 mm



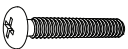
**J x 4**  
∅ 3.5 x 35 mm



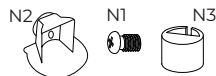
**K x 4**  
∅ 8 x 45 mm



**L x 2**  
∅ 6 x 20 mm



**M x 8**  
∅ 6 x 50 mm



**N x 20**  
∅ 20 mm



**O x 8**



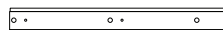
**P x 8**



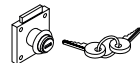
**Q x 3**  
∅ 60



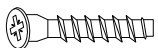
**R x 4**



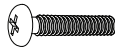
**S x 4**



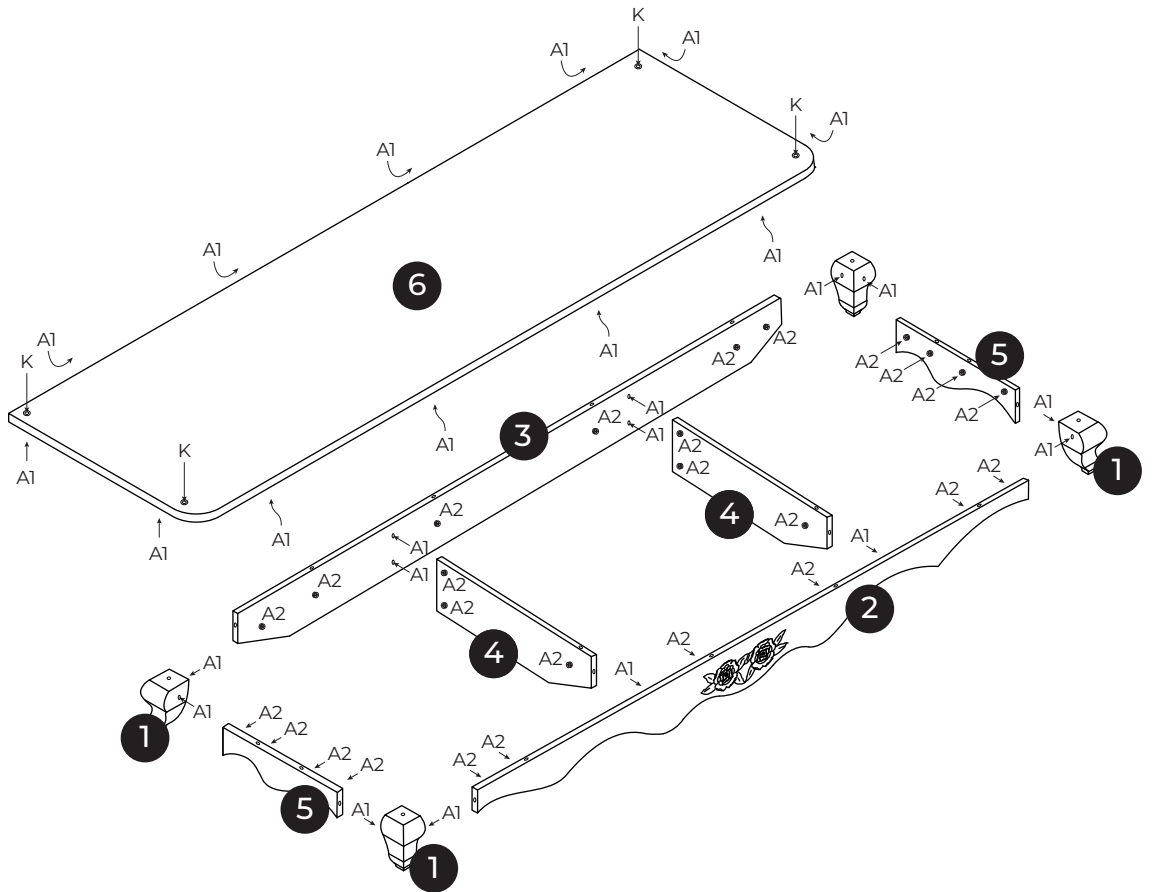
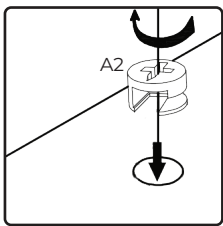
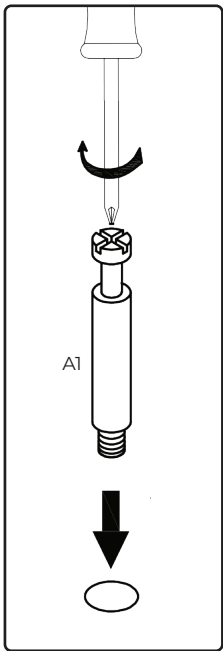
**T x 1**


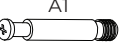



**U x 4**  
∅ 7 x 38 mm



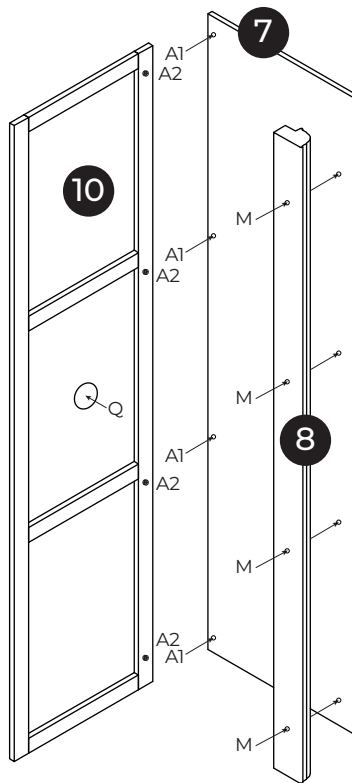
**W x 8**  
∅ 6 x 25 mm



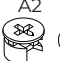
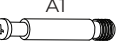
A   x26


K  x4

1



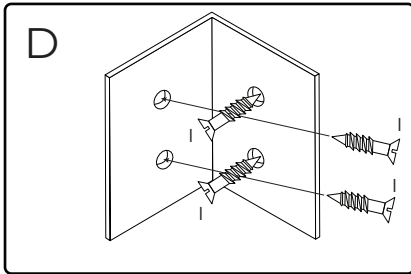
x2

A   x8

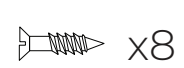
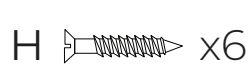
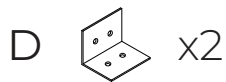
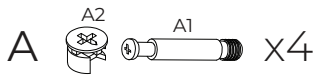
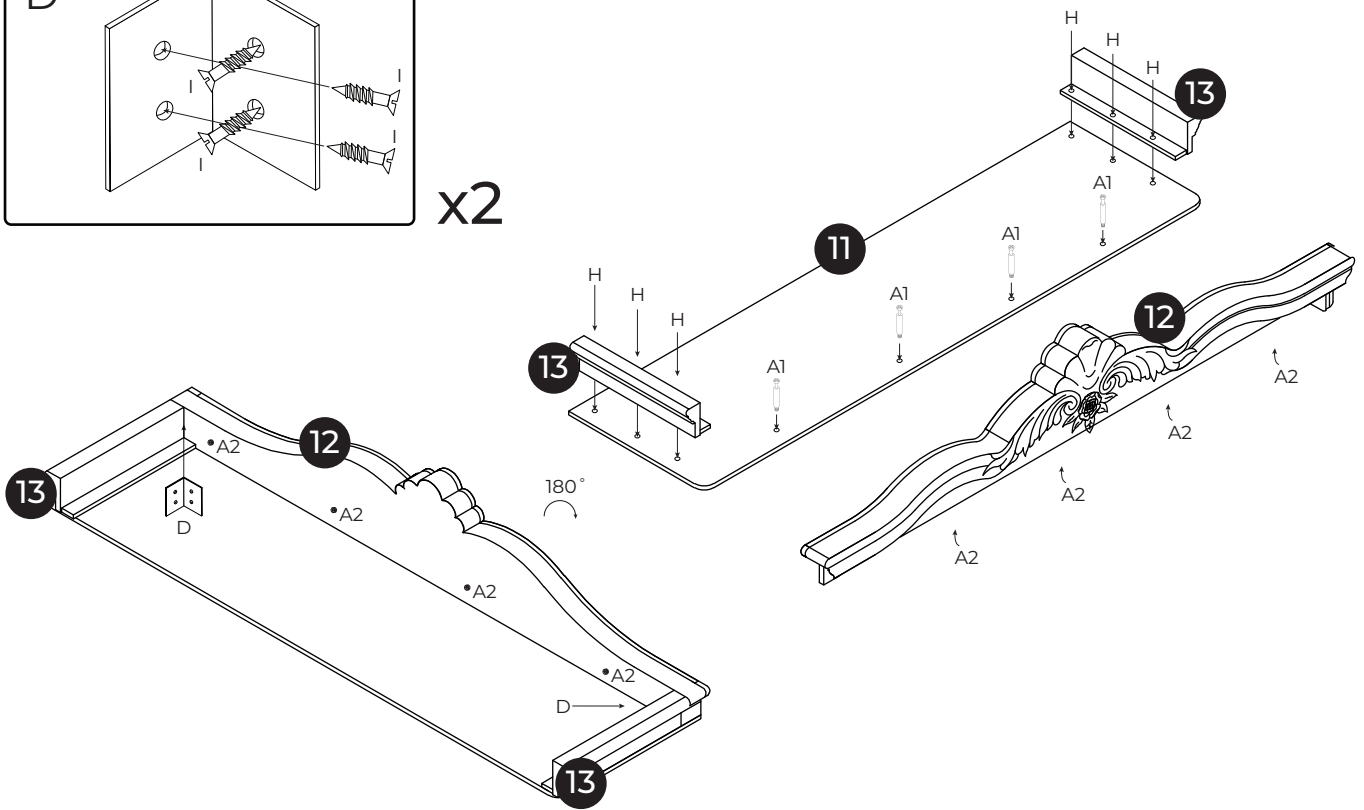
M  x8

Q  x2

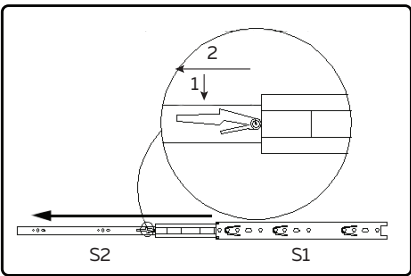
2



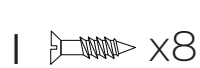
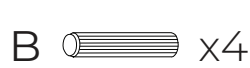
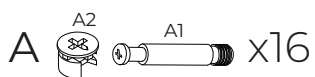
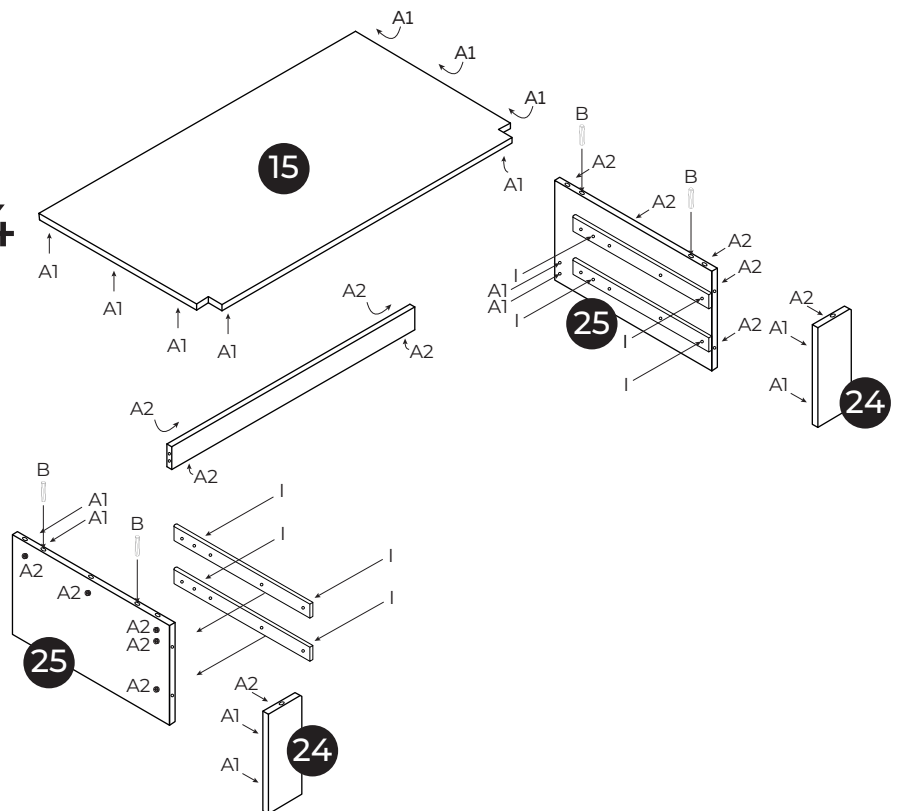
x2



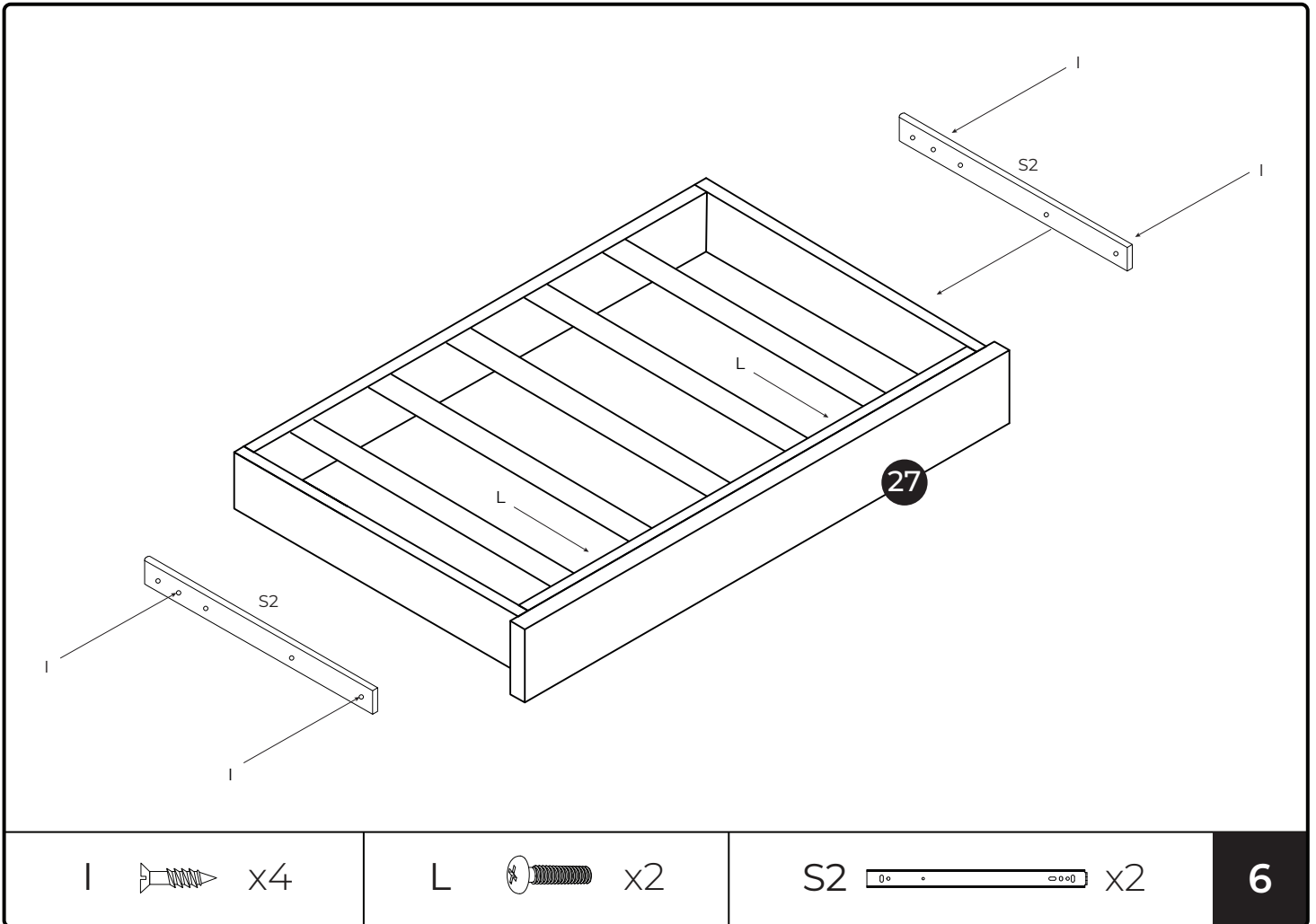
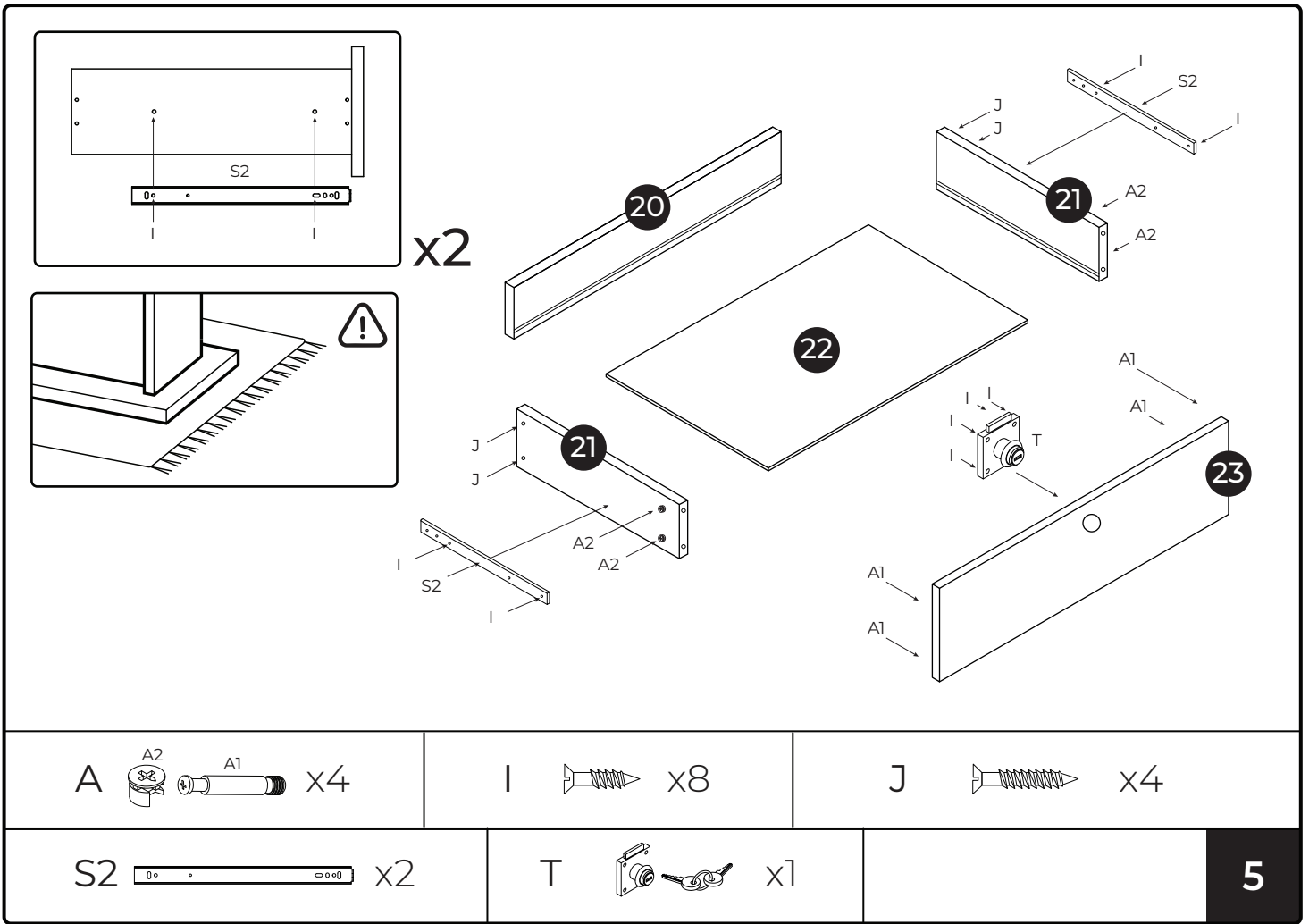
3

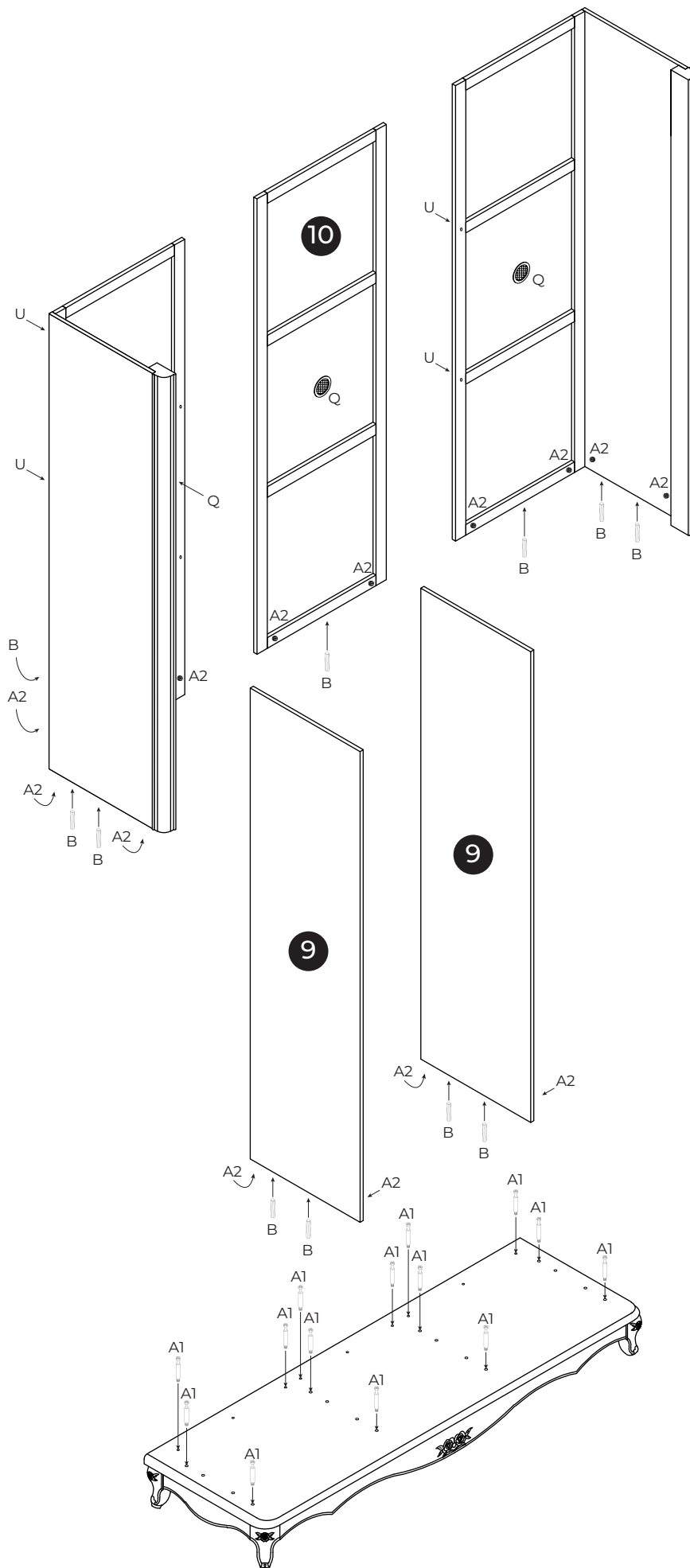


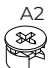
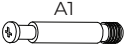
x4



4



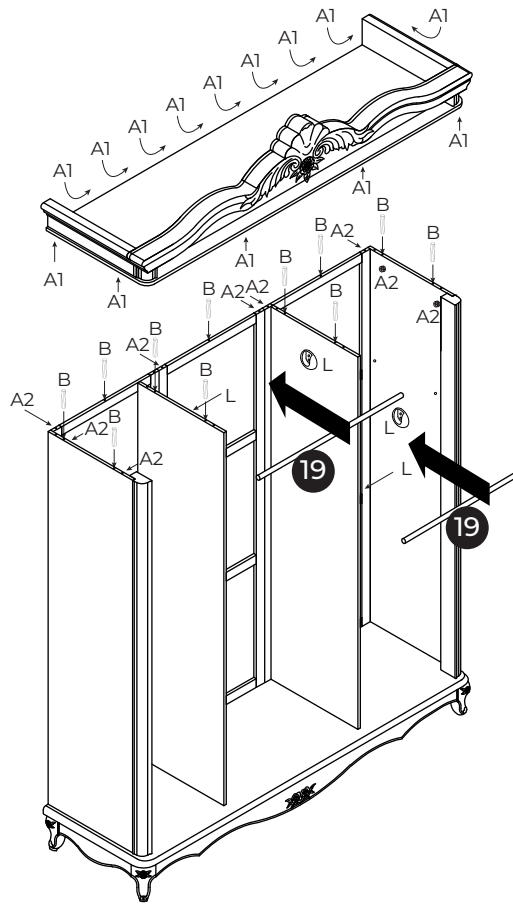
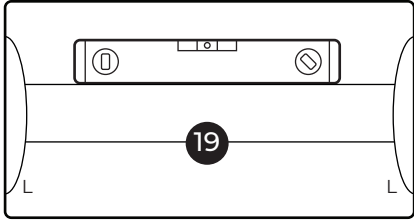
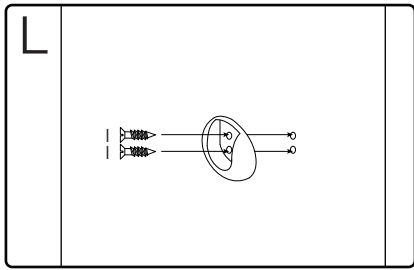


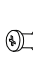

A   x14

B  x11

Q  x3

U  x4



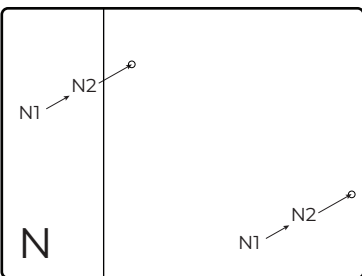
A   x14

B  x11

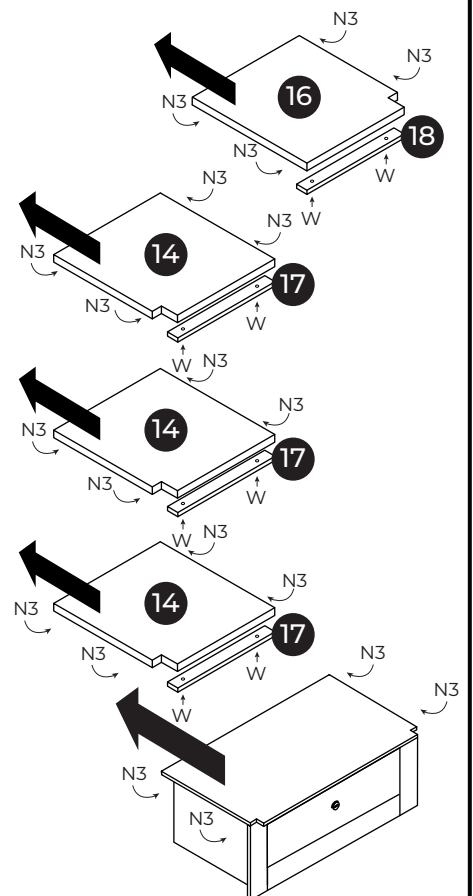
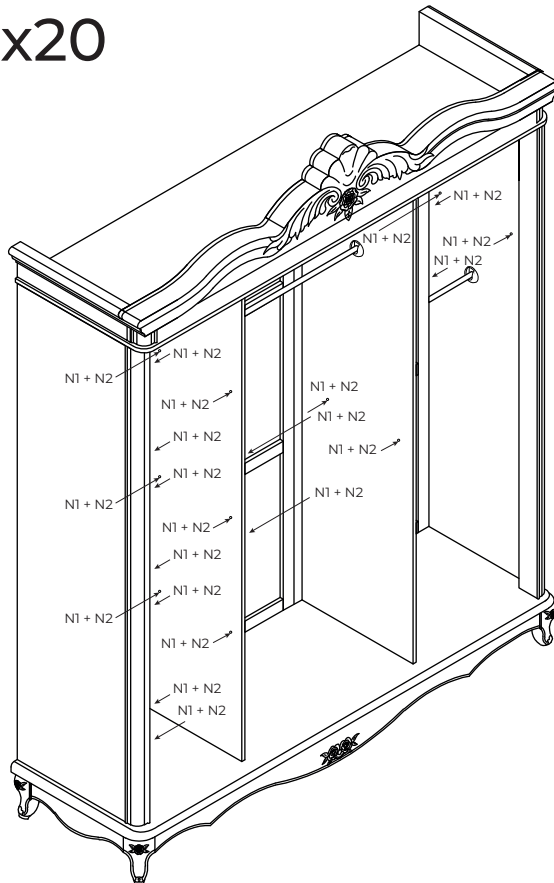
I  x8




L  x4

8



x20

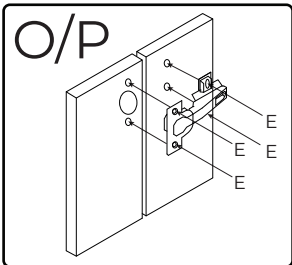


N    x20

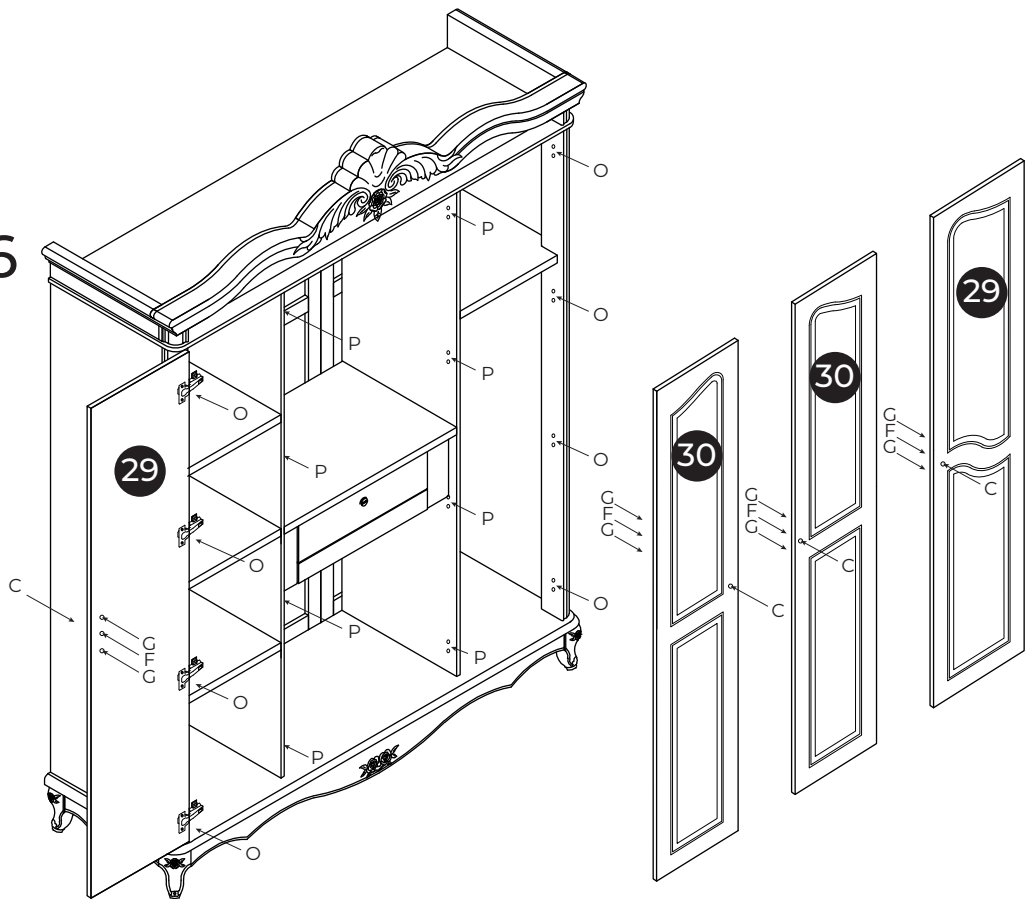
W  x8

9



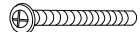


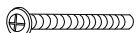
x16



C  x4

E  x64

F  x8

G  x4

O  x8

P  x8

**10**

